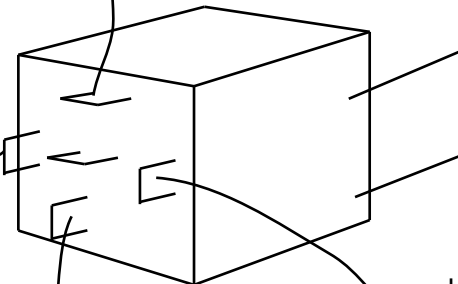


The solenoid will connect the circuit between the upper and lower pins shown in the 12 V automotive relay below.

12V lighter socket all weather

Test to ensure that the wires are connected in the right order to the socket! You might have to test a cheap device on it to see for sure. I think the central contact inside the socket is +12V, so test with multimeter.

wire looped under fuse for rear tail light, 12V  
solenoid +12V

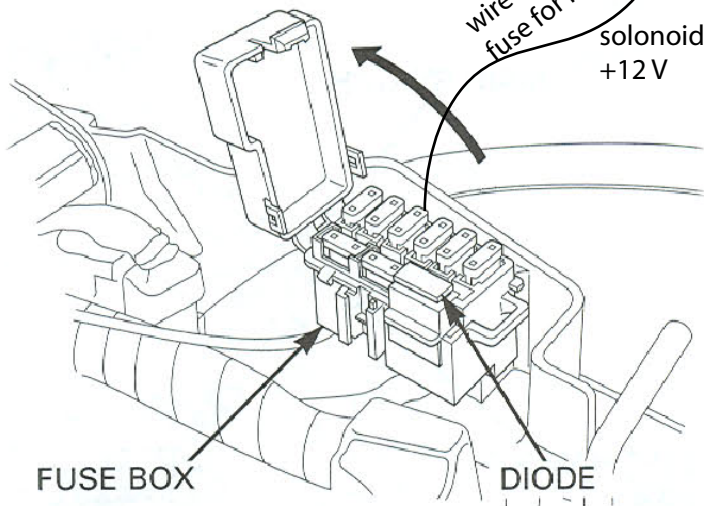


solenoid ground

5 amp fuse inside fuse holder

+12V

ground



FUSE BOX

DIODE